

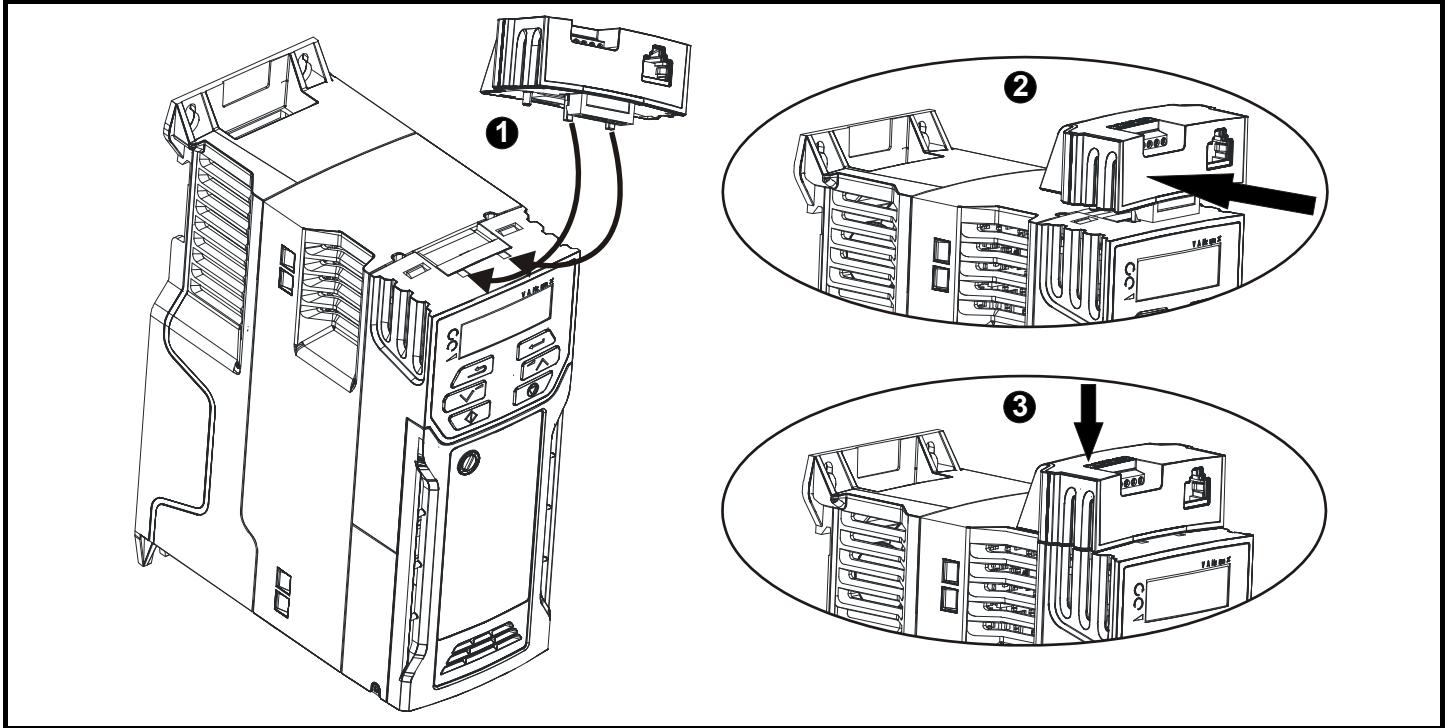


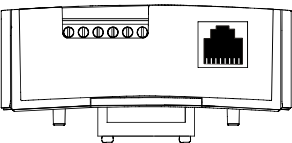
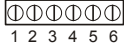
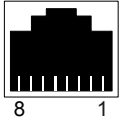
# AI-485 Adaptor Installation Sheet

## 1 Installing the AI-485 Adaptor

The AI-485 Adaptor is a plugable option installed to the top of a drive as shown in Figure 1-1.

Figure 1-1 Mounting the AI-485 Adaptor to the drive (size 2 shown).



Module	Terminal information																																	
 <p data-bbox="165 1435 316 1462">AI-485 Adaptor</p>	 <table border="1" data-bbox="443 1234 788 1469"> <thead> <tr> <th>Pin</th> <th>Function</th> </tr> </thead> <tbody> <tr> <td>1</td> <td>0 V</td> </tr> <tr> <td>2</td> <td>RX\ TX\</td> </tr> <tr> <td>3</td> <td>RX TX</td> </tr> <tr> <td>4</td> <td>120 Ω Termination resistor</td> </tr> <tr> <td>5</td> <td>TX Enable</td> </tr> <tr> <td>6</td> <td>+24 V (100 mA)</td> </tr> </tbody> </table>	Pin	Function	1	0 V	2	RX\ TX\	3	RX TX	4	120 Ω Termination resistor	5	TX Enable	6	+24 V (100 mA)	 <table border="1" data-bbox="836 1234 1465 1529"> <thead> <tr> <th>Pin</th> <th>Function</th> </tr> </thead> <tbody> <tr> <td>1</td> <td>120 Ω Termination resistor</td> </tr> <tr> <td>2</td> <td>RX TX</td> </tr> <tr> <td>3</td> <td>0 V</td> </tr> <tr> <td>4</td> <td>+24 V (100 mA)</td> </tr> <tr> <td>5</td> <td>Not connected</td> </tr> <tr> <td>6</td> <td>TX enable</td> </tr> <tr> <td>7</td> <td>RX\ TX\</td> </tr> <tr> <td>8</td> <td>RX\ TX\ (if termination resistors are required, link to pin 1)</td> </tr> </tbody> </table>	Pin	Function	1	120 Ω Termination resistor	2	RX TX	3	0 V	4	+24 V (100 mA)	5	Not connected	6	TX enable	7	RX\ TX\	8	RX\ TX\ (if termination resistors are required, link to pin 1)
Pin	Function																																	
1	0 V																																	
2	RX\ TX\																																	
3	RX TX																																	
4	120 Ω Termination resistor																																	
5	TX Enable																																	
6	+24 V (100 mA)																																	
Pin	Function																																	
1	120 Ω Termination resistor																																	
2	RX TX																																	
3	0 V																																	
4	+24 V (100 mA)																																	
5	Not connected																																	
6	TX enable																																	
7	RX\ TX\																																	
8	RX\ TX\ (if termination resistors are required, link to pin 1)																																	

